



Call our friendly team on
01243 558280

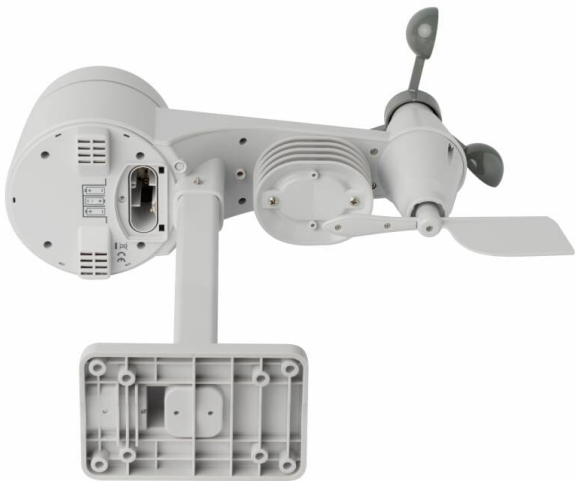
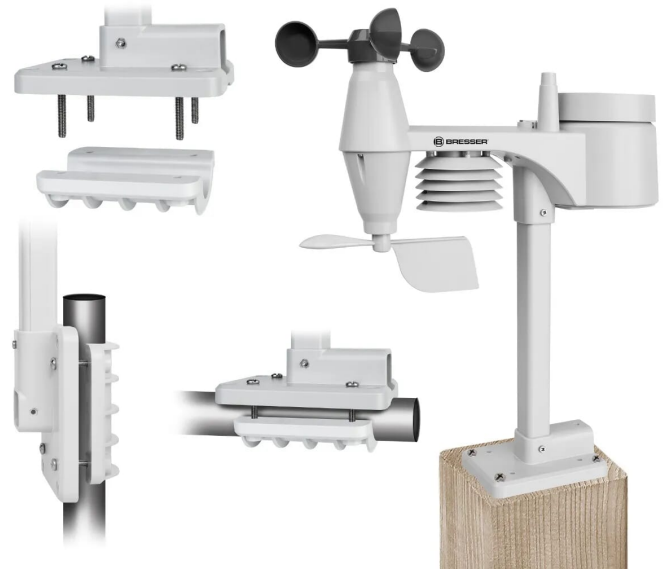
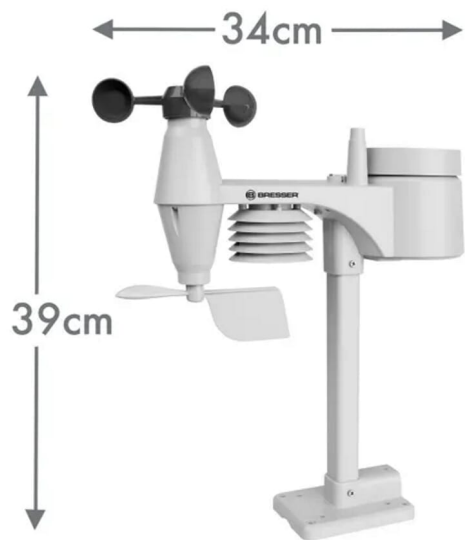
Weather Shop
Ford Lane Business Park
Ford, West Sussex
BN18 0UZ
www.weathershop.co.uk



Bresser 5-in-1 Comfort Weather Station with Colour Display & Weather Alerts

Product Images





Short Description

The 5-in-1 outdoor sensor transmits measured values for wind speed, wind direction, humidity, temperature, and rainfall to the base station.

From the collected data, the weather station calculates a very reliable local weather trend forecast for the next 12 hours, depicted by six graphic symbols.

The base station allows the internal storage and evaluation of measured data over a period of 24 hours.

Description

Don't be caught out by weather extremes: alerts can be programmed to notify you if minimum or maximum values are exceeded. There is also a special frost / ice warning alert.

Key Features

- Indoor temperature (-5°C – 70°C) and humidity
- Indoor comfort indicator (too cold, optimal, too warm)
- Outdoor temperature (-40°C – 80°C / -40°F – 176°F) and humidity (20% – 90% RH)
- Wind direction and speed (including Beaufort scale) (0 – 112 mph, 50 m/s, 180 km/h, 97 knots)
- Rainfall with history (daily, weekly, monthly, total rainfall) (0 – 9999 mm / 0 – 393.7 inch)
- Graphical weather forecast (sunny, partly cloudy, cloudy, rainy, stormy, snowy)
- Air pressure with history (24 hours) (540 – 1100hPa) (hPa, InHg, mmHg)
- Wind chill
- Heat index
- Dew point
- Moon phase
- Selectable ice/frost alert
- Programmable alarms for weather extremes
- Max/Min memory records and past 24 hours
- Time, date, weekday
- Radio-controlled time and date setting (DCF-77 European atomic clock signal from Frankfurt).
Manual time setting for UK time zone
- Alarm clock with snooze mode
- LED backlight.

Note: The 7002551 is the UK version of the Bresser 7002550CM3000.

Additional Information

Brand	Bresser
Contents	<ul style="list-style-type: none">• Indoor base station/display console with integrated stand• 5-in-1 multi-sensor suite with mounting materials• Short mounting pole• Power adaptor for base station/display console, with UK 3 pin plug and cable• User manual
Ideal For	Amateur, Interested, Gardeners
Dimensions	202 x 138 x 38mm (display console)
Batteries	Display console (base station): 3 x AAA batteries (not included)
Power	Display console (base station): mains power, with optional battery backup
Sensors	<ul style="list-style-type: none">• The 5-in-1 outdoor sensor suite includes sensors for wind speed, wind direction, humidity, temperature and rainfall• Wireless transmission range to base station: 30 metres (line of sight)• RF frequency: 868 MHz
Dimensions	Outdoor sensor suite: 344 x 394 x 136mm
Batteries	Outdoor sensor suite: 3 x AA batteries (not included)
Installation	The compact, multifunctional outdoor sensor suite comes with a stand that can be mounted vertically or horizontally as well as a pipe clamp and screws so you can also attach it to a pole, such as is included with the optional Universal Mounting Pole Kit.

Additional Options

Batteries	3 x AA Alkaline 1.5V Batteries
Batteries	3 x AAA Alkaline 1.5V Batteries
Mounting Options	Universal Mounting Pole Kit (WS-7717) - Limited Offer
	Universal Crank-shaped Mounting Pole Kit (WS-7715-CRANK)